



Ty-Rap®

T&B Catalog Number: TY29M
UPC Number: 78621083067
Description: Cable Tie 120lb 30" Natural Nylon with Stainless Steel Locking Device Bulk Pack

Status: Active

General

Material: Nylon 6.6
Color: Natural

Dimension Information

Length (inches): 30
Width (inches): .270
Max. Wire Bundle Diameter (inches): 9

Specifications

Military Standard Part No.: MS3367-6
Tensile Strength (lbs.): 120
Temperature Rating: -40°F to 185°F
Flamability Rating: UL 94 V-2

Tooling

Application Tools: ERG120, WT197A

Packaging

T&B Order Multiple: 500
Package in Units: 500
Package Type: Bulk
T&B Sold in UOM: Each
T&B Weight Per UOM: 2.38 lbs. per 100

Application Support

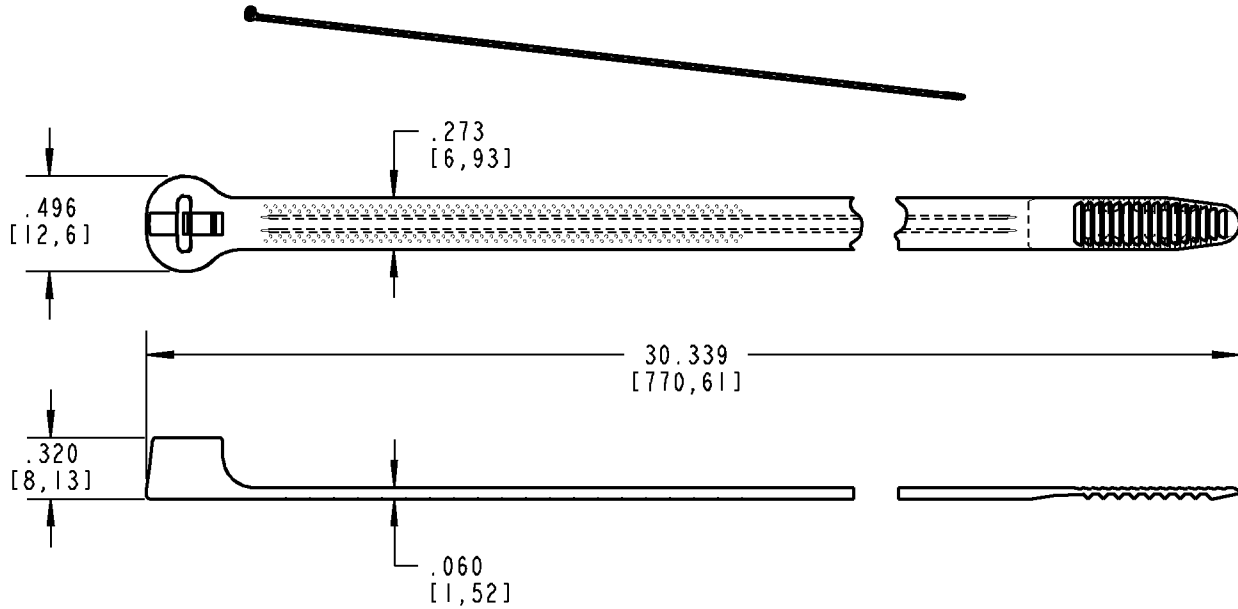
T&B Sales Drawings: wsd-000280
Overview: Available on Website
Material Selection Guide: Available on Website
Available Colors: Available on Website

Certifications

RoHS Compliance: Yes



Ty-Rap



NOTES:

1. MATERIAL CONFORMS TO ASTM D4066 PA11
2. MAXIMUM BUNDLE DIAMETER: 9.000 [228.6]
3. TENSILE RATING: 120 LBS [534 N]
4. OPERATING TEMPERATURE RANGE: -40°F [-40°C] TO 185°F [85°C]
5. INSTALLATION TOOL/SETTING: WT197/5-8 (MS90387-2)

CATALOG NUMBER	MATERIAL	COLOR	MILITARY STANDARD TYPE 1 CLASS 1
TY29M*	NYLON 6,6	NATURAL	MS3367-6-*
TY29MX	WEATHER RESISTANT NYLON	BLACK	MS3367-6-0

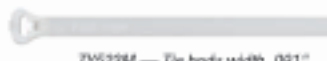
STANDARD PACKAGE QUANTITY IS 50,
ADDITIONAL PACK QUANTITIES AVAILABLE UPON REQUEST

* COLORS AVAILABLE (ADD SUFFIX TO END OF CAT. NO.)	
-0 = BLACK	-5 = GREEN
-1 = BROWN	-6 = BLUE
-2 = RED	-7 = PURPLE
-3 = ORANGE	-8 = GRAY
-4 = YELLOW	-9 = WHITE

GENERAL NOTES		Thomas & Betts <small>www.tnb.com</small>			
1. ALL DIMENSIONS ARE FOR REFERENCE ONLY. 2. DIMENSIONS IN BRACKETS [] ARE IN METRIC UNITS.		DESCRIPTION: SELF-LOCKING CABLE TIE (TY29M SERIES)			
REVISIONS		ORIGINAL PROJECT NO / (ERN NO)	SHEET NO:	REV. NO:	DRAWING NO:
** SEE ERN (****) FOR APPROVAL SIGNATURES & RELEASE DATE. PROJECT NO: ****		FM40183 / (2006909)	1 OF 1	-	WSD-000280

Cable Ties

Ty-Rap® Nylon 6.6 Cable Ties



TY523M — Tie body width .091"



TY524M — Tie body width .140"



TY525M — Tie body width .187"



TY5272M — Tie body width .270"



STD. PKG. CAT. NO.	BULK PKG. CAT. NO.	BODY WIDTH IN./MM	LENGTH IN./MM	MAX. WIRE BUNDLE DIA. IN./MM	MILITARY STANDARD PART NO.	TENSILE STRENGTH LBS./N.	STD. PKG. QTY.	BULK PKG. QTY.
TY523M	TY23M	.09/2.29	3.62/91.95	.63/16.00	MS3367-4	18/80.07	100	1,000
TY52315M	TY82315M	.09/2.29	7.00/177.80	1.50/38.10	—	18/80.07	100	1,000
TY5232M	TY232M	.09/2.29	8.00/203.20	2.00/50.80	—	18/80.07	100	1,000
TY5234M	TY234M	.09/2.29	14.00/355.60	4.00/101.60	—	18/80.07	100	1,000
TY524M	TY24M	1.4/3.56	5.50/139.70	1.13/28.70	MS3367-5	40/177.90	100	1,000
TY5242M	TY242M	1.4/3.56	8.19/208.03	2.00/50.80	—	40/177.90	100	1,000
TY526M	TY26M	1.4/3.56	11.10/281.94	3.00/76.20	—	30/133.40	100	1,000
TY5244M	TY244M	1.4/3.56	14.50/368.30	4.00/101.60	—	30/133.40	100	1,000
TY525M	TY25M	1.9/4.83	7.31/185.67	1.75/44.45	MS3367-1	50/222.40	100	1,000
TY5253M	TY253M	1.9/4.83	11.60/294.64	3.00/76.20	MS3367-7	50/222.40	100	1,000
TY528M	TY28M	1.9/4.83	14.20/360.68	4.00/101.60	MS3367-2	50/222.40	100	1,000
TY5272M*	TY272M*	2.7/6.86	8.75/222.250	2.00/50.80	—	120/533.80	50	500
TY527M*	TY27M*	2.7/6.86	13.40/340.36	3.50/88.90	MS3367-3	120/533.80	50	500
TY5275M	TY275M	2.7/6.86	18.00/457.20	5.00/127.00	—	120/533.80	50	500
TY5277M	TY277M	2.7/6.86	24.30/617.22	7.00/177.80	—	120/533.80	50	500
TY529M	TY29M	2.7/6.86	30.00/762.00	9.00/228.60	MS3367-6	120/533.80	50	500
TY53510M*	—	3.2/8.13	35.00/889.00	10.00/254.00	—	175/778.40	50	—
TY54513M*	—	3.2/8.13	45.00/1143.00	13.00/330.20	—	175/778.40	50	—

Cable ties made from natural nylon 6.6 are excellent performers in most applications.

For use in temperatures ranging from -40° F to 185° F (-40° C to 85° C).

† Recognized Models

* UL Listed Natural 6.6 Nylon Cable Ties are suitable for use in air bending spaces (plenums) in accordance with Section 300.22 (C) & (D) of the National Electrical Code.

• Natural nylon color

The colors you need in convenient packs!

Ty-Rap® Nylon 6.6 Cable Ties — Color Assortment



• Construction — nylon 6.6, 316 stainless steel locking device

STD. PKG. CAT. NO.	BULK PKG. CAT. NO.	DESCRIPTION	LENGTH IN./MM	TENSILE STRENGTH LBS./N.	STD. BULK QTY.
—	TY525M-CLRS	Multi-Colored, Natural Nylon, (10 each of standard ten colors)	7.31/185.67	50/222.40	100 Ties
—	TY25M-0	Black, Natural Nylon	7.31/185.67	50/222.40	1,000 Ties
—	TY25M-1	Brown, Natural Nylon	7.31/185.67	50/222.40	1,000 Ties
—	TY25M-2	Red, Natural Nylon	7.31/185.67	50/222.40	1,000 Ties
—	TY25M-3	Orange, Natural Nylon	7.31/185.67	50/222.40	1,000 Ties
—	TY25M-4	Yellow, Natural Nylon	7.31/185.67	50/222.40	1,000 Ties
—	TY25M-5	Green, Natural Nylon	7.31/185.67	50/222.40	1,000 Ties
—	TY25M-6	Blue, Natural Nylon	7.31/185.67	50/222.40	1,000 Ties
—	TY25M-7	Purple, Natural Nylon	7.31/185.67	50/222.40	1,000 Ties
—	TY25M-8	Gray, Natural Nylon	7.31/185.67	50/222.40	1,000 Ties
—	TY25M-9	White, Natural Nylon	7.31/185.67	50/222.40	1,000 Ties

For use in temperatures ranging from -40° F to 185° F (-40° C to 85° C).

• UL Listed Natural 6.6 Nylon Cable Ties are suitable for use in air bending spaces (plenums) in accordance with Section 300.22 (C) & (D) of the National Electrical Code.

• 100 standard ties in black, brown, red, orange, yellow, green, blue, purple, gray, and white (10 each)

• Recommended tooling — ERG-50, W71-TB

Natural nylon is standard. For colored Ty-Rap® ties, add the following suffix numbers to catalog numbers.

Example: TY25M-2 would be red TY25M. (Consult customer service for ordering information.)

COLOR	SUFFIX NO.	COLOR	SUFFIX NO.	COLOR	SUFFIX NO.	COLOR	SUFFIX NO.
Black (outdoor)	X	Red	2	Green	5	Gray	8
Brown	1	Orange	3	Blue	6	White	9
		Yellow	4	Purple	7		

How to Order Colored Ty-Rap® Cable Ties and Accessories